

Ancillaries

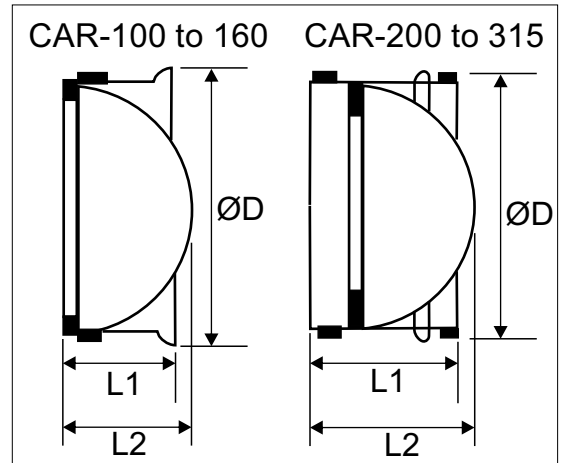
↓ ANCILLARIES

In-line Circular Back Draft Shutters CAR Series



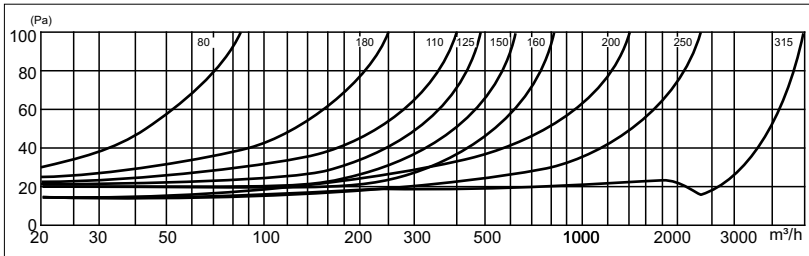
■ Features

- Back draft shutters to be installed within circular ducting to prevent back draft to air when the fans are switched OFF



■ DIMENSIONS (mm)

Type	DØ	L1	L2
CAR-100	96	43	50
CAR-110	107	42	56
CAR-125	121	49	63
CAR-150	146	62	76
CAR-160	155	66	81
CAR-200	197	120	125
CAR-250	247	120	145
CAR-315	312	160	178



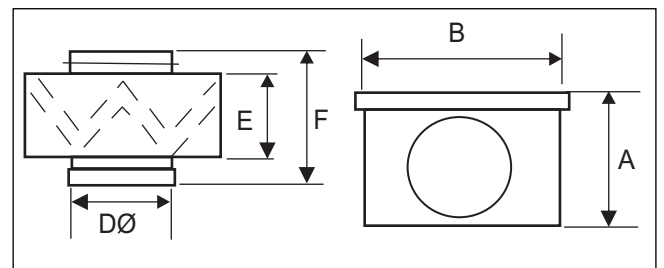
Back draft shutter pressure loss (Pa)

Filtration Box MFL Series



■ Features

- The MFL range of in-line heavy duty cabinet filters of type Eu3 grade filtration are designed for direct connection with standard circular ducting



■ DIMENSIONS (mm)

Type	A	B	DØ	E	F
MFL-100	200	200	100	154	196
MFL-125	200	200	125	154	196
MFL-150	220	220	160	154	196
MFL-200	243	244	200	154	202
MFL-250	293	294	250	154	206
MFL-315	342	343	315	154	206

