



## ■ Features

- Whisper quiet aerodynamic grille and high performance fan blades
- High performance air extraction
- Low profile easy clean snap off grille
- Insect proof grille
- Horizontal or vertical D.I.Y. installation
- Fitted plug with 600mm of flex
- Self locking fixing clamps
- Long life motor
- Ball Bearings

## ■ Motors

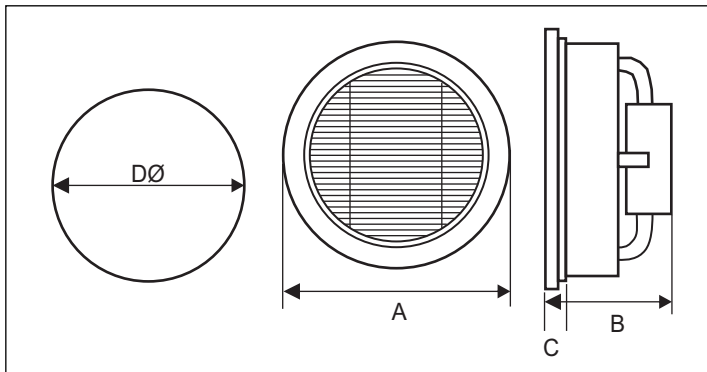
- Electricity supply - 220-240V, single-phase, 50/60Hz
- Motor protection IP10
- Fitted with ball bearings



Toilet



Bathroom



## ■ DIMENSIONS (mm)

Model	A	B	C	DØ
CEH200B	280	115	12	235
CEH250B	330	125	12	290

## ■ TECHNICAL DATA

Model	V	Hz	W	m <sup>3</sup> /hr	mm
CEH200B	230/240	50	30	260	200
CEH250B	230/240	50	35	500	250

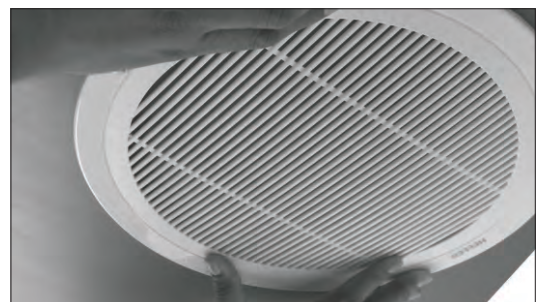
Compared with sleeve bearing, ball bearing has the following advantages: Long life, low maintenance, low temperature compatibility



Use template provided to mark mounting hole and cut with a jigsaw, keyhole saw or hacksaw.



Remove grille, connect plug, insert fan into opening and use clamps to secure.



Replace grille.