



## ■ Features

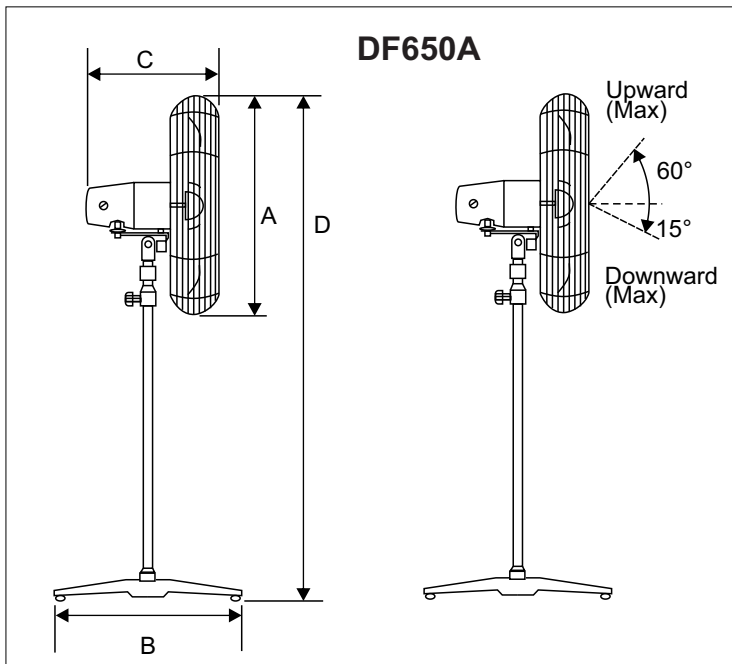
- Supplied in stand mounted versions
- 90° Oscillation
- Height adjustable up to 1500mm with a heavy cast iron base
- Suitable for cooling of workshops, marquees, factories, shops, gyms, school halls etc.
- Low noise level
- Low temperature rise
- Economical electricity
- Compact structure
- Reliable insulation
- Colorful appearance



Factory



Public area



## ■ DIMENSIONS (mm)

Model	A	B	C	D
DF650A	700	590	360	1560-1900

## ■ TECHNICAL DATA

Model	mm	V	Hz	W	max m <sup>3</sup> /h	dB
DF650A	650	220	50	230	14000	65