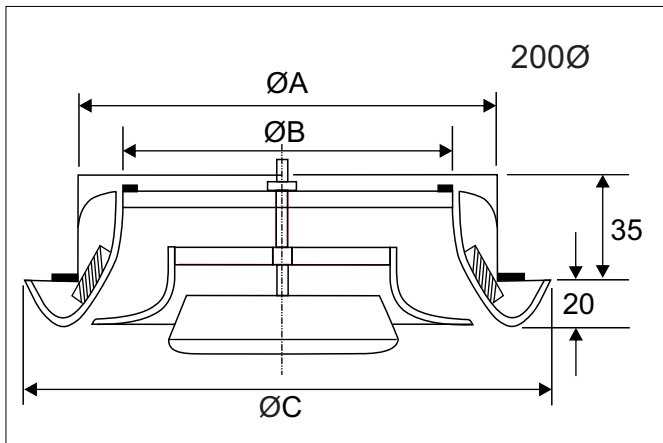
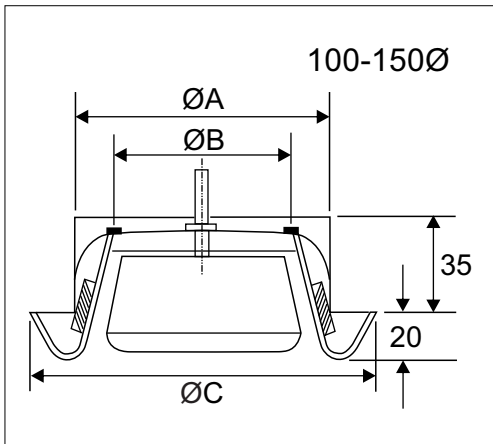


Extract Valve DVS Series



■ Features

- Metal
- Powder coated
- White
- Adjustable air flow



■ DIMENSIONS (mm)

Model	AØ	BØ	CØ	D	Kg
DVS100	100	70	145	55	0.12
DVS125	125	95	160	55	0.15
DVS150	150	115	195	55	0.20
DVS200	200	172	240	55	0.34

