



■ Features

- Suitable for mounting in kitchens, bedrooms, toilets etc.
- Ultra-thin grille
- Streamline design
- Easy installation and cleaning
- Anti fade/resilient ABS body
- Low noise
- Maintenance Free



Home



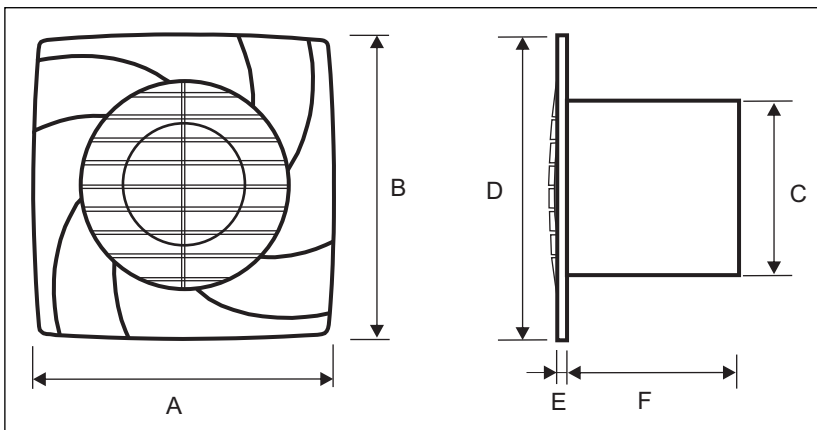
Kitchen



Toilet



Bathroom

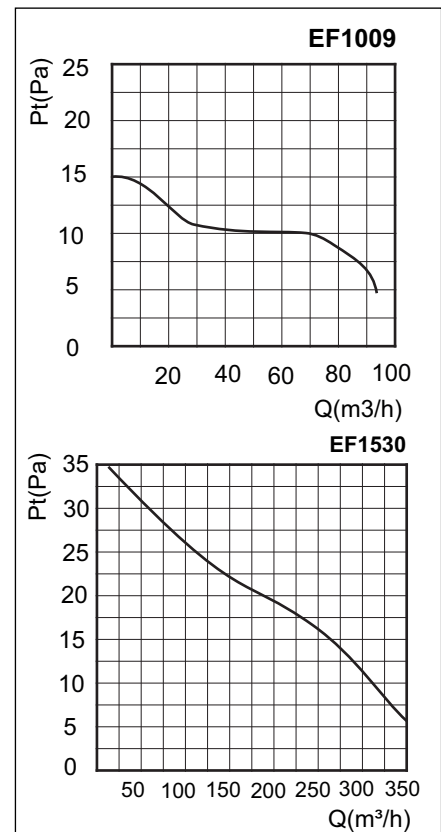


■ DIMENSIONS (mm)

Model	A	B	C	D	E	F
EF-1009	130	130	97.5	130	6	110
EF-1530	190	190	145	190	8	118

■ TECHNICAL DATA

Model	V	Hz	W	A	m ³ /h	dB
EF-1009	220	50	15	0.08	90	40
EF-1530	220	50	25	0.14	300	43



■ WIRING

