

Ancillaries

↓ ANCILLARIES

Louvre Shutters PER-W Series

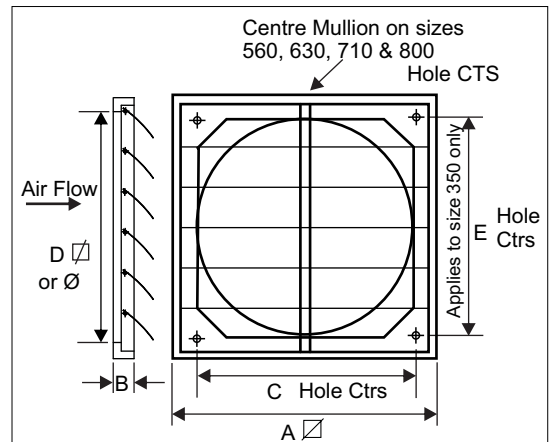


■ Features

- All weather louvre with vanes that open automatically when airflow commences
- Fits independently of fan (ideally wall mounted downstream of fan).
- Supplied with screw fixings

■ DIMENSIONS (mm)

Model	A ∇	B	C	D \emptyset or ∇	E \emptyset
100	123	12	90	98	4
125	158	15	110	130	4
160	178	20	130	152	4
200	243	21	184	205	5
250	294	26	233	260	5
355	394	26	310	420	5
400	457	26	365	420	5
450	499	31	395	460	5
500	548	31	443	510	5
560	605	31	522		5
630	696	31	626		5



Wall Cowls WC Series



■ Features

- Wall Cowls have been designed to protect extract fan openings from prevailing weather conditions
- The shape minimises resistance to airflow

■ DIMENSIONS (mm)

Model	A ∇	B	C	D	E	Area (m ²)	WC/WCM
250/315	500	410	340	325	30	0.088	WC/WCM
355/400	610	510	430	390	30	0.140	WC/WCM
450/500	755	645	560	470	30	0.217	WC/WCM
560/630	935	815	690	555	30	0.345	WC/WCM
710/800	845	890	970	690	-	0.714	WCM

