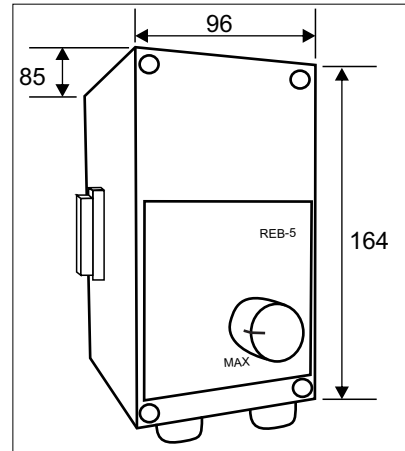


## Speed Controller REB5N Series



### ■ Features

- Electronic single-phase speed controllers -
- wall mounted
- fuse protected with spare fuses included
- radio interference protected
- minimum speed adjustment
- single ON/OFF and speed regulation control knob



### ■ TECHNICAL DATA

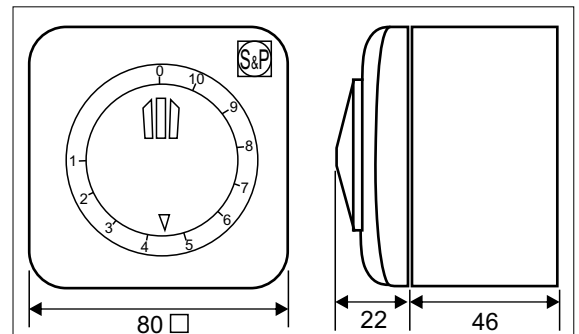
Type REB	Hz	V	IP Protection	Power (VA)	Maximum current (A)	Elect. insulation class	Operating temp. range
5N	50	220-240	IP-45	1100	5	II	5-45°

## Speed Controller REB2.5N Series



### ■ Features

- Electronic single-phase speed controllers -
- available in wall box or flush mount versions.
- fuse protected with spare fuses included.
- radio interference protected.
- minimum speed adjustment.
- single ON/OFF and speed regulation control knob.



### ■ TECHNICAL DATA

Type REB	Hz	V	IP Protection	Power (VA)	Maximum current (A)	Elect. insulation class	Operating temp. range
2.5N	50	220-240	IP-44	550	2.5	II	0-40°