

MINI CENTRIFUGAL ROOF FAN RVF

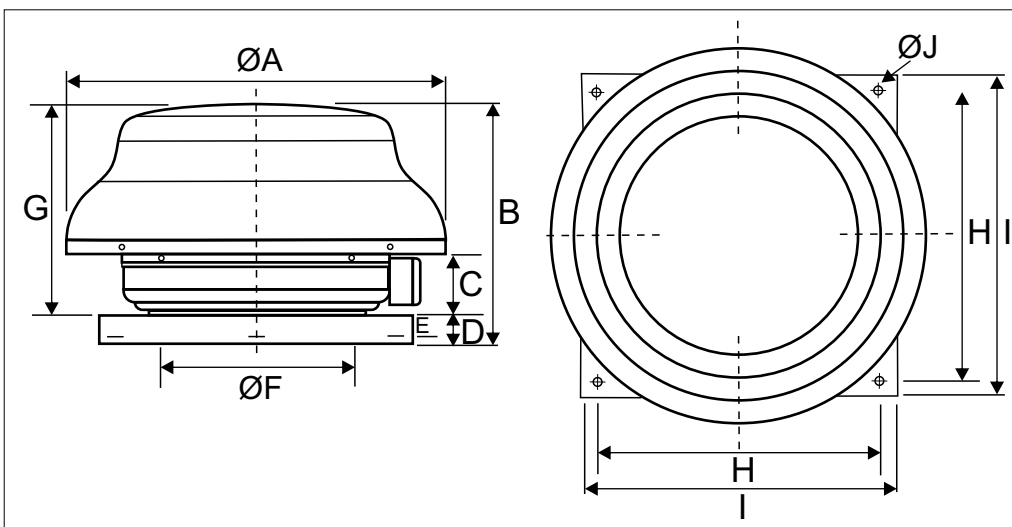
hyair

G
R
O
O
F
U
N
I
T
S



■ Features

- The Mini Centrifugal Roof Fan series are the new type roof extract units available in 2 sizes and suitable for vertical and horizontal installation.
- The low noise external rotor motor and high efficient backward bladed impeller meets the requirement of efficient ventilation in residential, commercial and light industrial applications



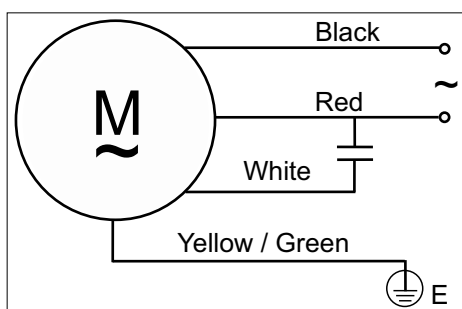
■ DIMENSIONS (mm)

Model	A	B	C	D	E	ØF	G	H	I	ØJ
RVF-150	400	239	72	38	17	148	201	300	340	9
RVF-250	484	302	79	38	30	248	264	360	400	9

■ TECHNICAL DATA

Model	W	m ³ /h	Pa	dB
RVF-150	80	450	340	63
RVF-250	181	1150	595	71

■ WIRING



■ INSTALLATION METHODS

